



LSP50G

Pneumatic pin clamp

L	S	P	5	0	G	U	3	0	0	0	0	0
1	2	3	4	5	6	7	8	9				

1 Series	2 Version	3 Size
-----------------	------------------	---------------

LS = Pneumatic pin clamp

P = Pneumatic standard

50 = Ø 50 mm

4 Model	5 Sensing style	6 Pin diameter
----------------	------------------------	-----------------------

G = refer to enclosed technical drawings

U = Electronic 24 Vdc sensor with M12 swivel connector

2 = Ø 20 mm

3 = Ø 25 mm

4 = Ø 30 mm

5 = Ø 35 mm

6 = Ø 40 mm

7 Locating pin	8 Working height	9 Progressive numbering
-----------------------	-------------------------	--------------------------------

0 = Locating pin non included

1 = Locating pin included

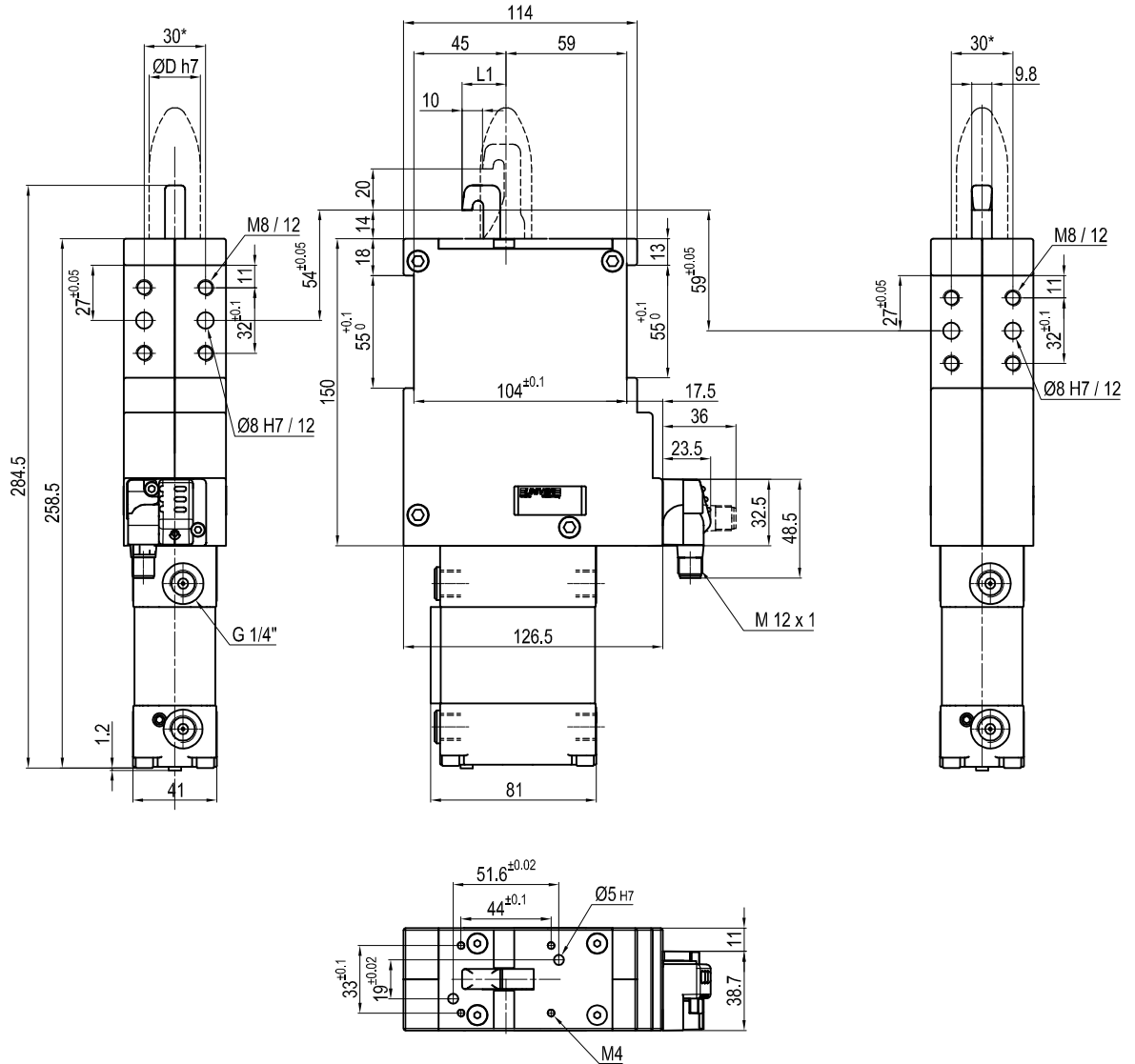
0 = Standard

Others upon request

Progressive numbers for special products are assigned by the Sales Dept.



Pneumatic pin clamp



ØD	L1
20	19
25	21.5
30	24
35	26.5
40	29

Bore Ø	Clamping force	Weight
50 mm	350 Kg	3 Kg

Min./Max. operating pressure: **0,4 / 0,8 MPa**

Operating temperature: **5° + 45° C**

Electronic 24 Vdc sensor with M12 swivel connector that can be orientated at 0° or 90°

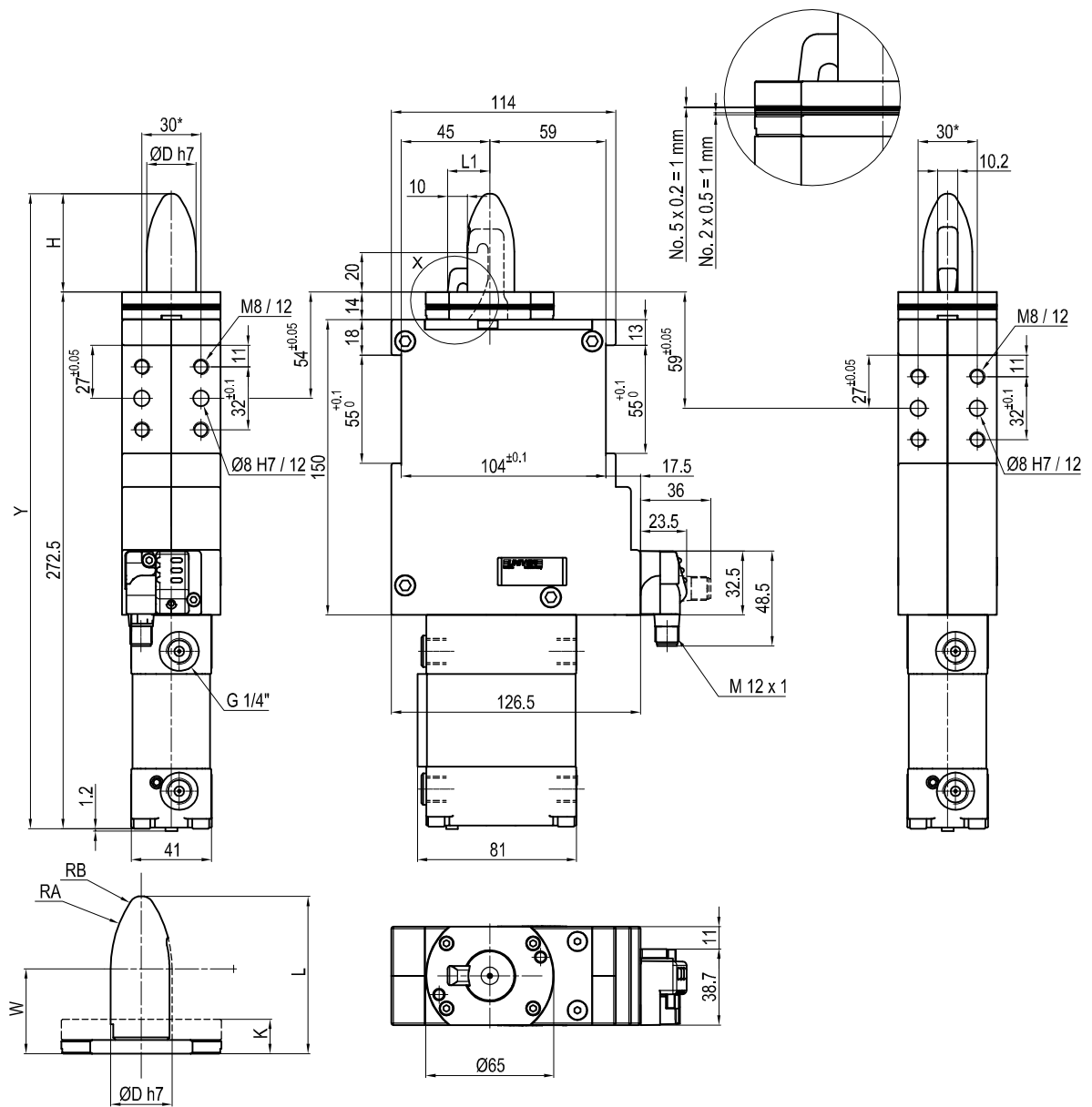
Protection class: **IP 54**

Pneumatic ports on both sides

* : TOLERANCE BETWEEN DOWEL HOLES ± 0.02 , TO SCREW HOLES ± 0.1

Subject to technical modification without notice.

Pneumatic pin clamp



$\varnothing D$	H	K	L	L1	RA	RB	W	Y
20	45	14	59	19	65	5	34.5	317.5
25	50	14	64	21.5	50	5	34.5	322.5
30	50	14	64	24	50	5	34.5	322.5
35	50	14	64	26.5	48	2	29	322.5
40	50	14	64	29	48	2	29	328.5

Bore \varnothing	Clamping force	Weight
50 mm	350 Kg	3.2 Kg

Min./Max. operating pressure: **0,4 / 0,8 MPa**

Operating temperature: **5° + 45° C**

Electronic 24 Vdc sensor with M12 swivel connector that can be orientated at 0° or 90°

Protection class: **IP 54**

Pneumatic ports on both sides

* : TOLERANCE BETWEEN DOWEL HOLES ± 0.02 , TO SCREW HOLES ± 0.1

Subject to technical modification without notice.