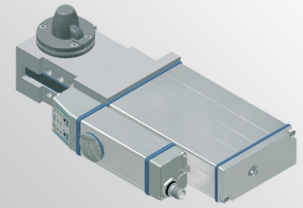


# LSE4U

Orthogonal pin clamp

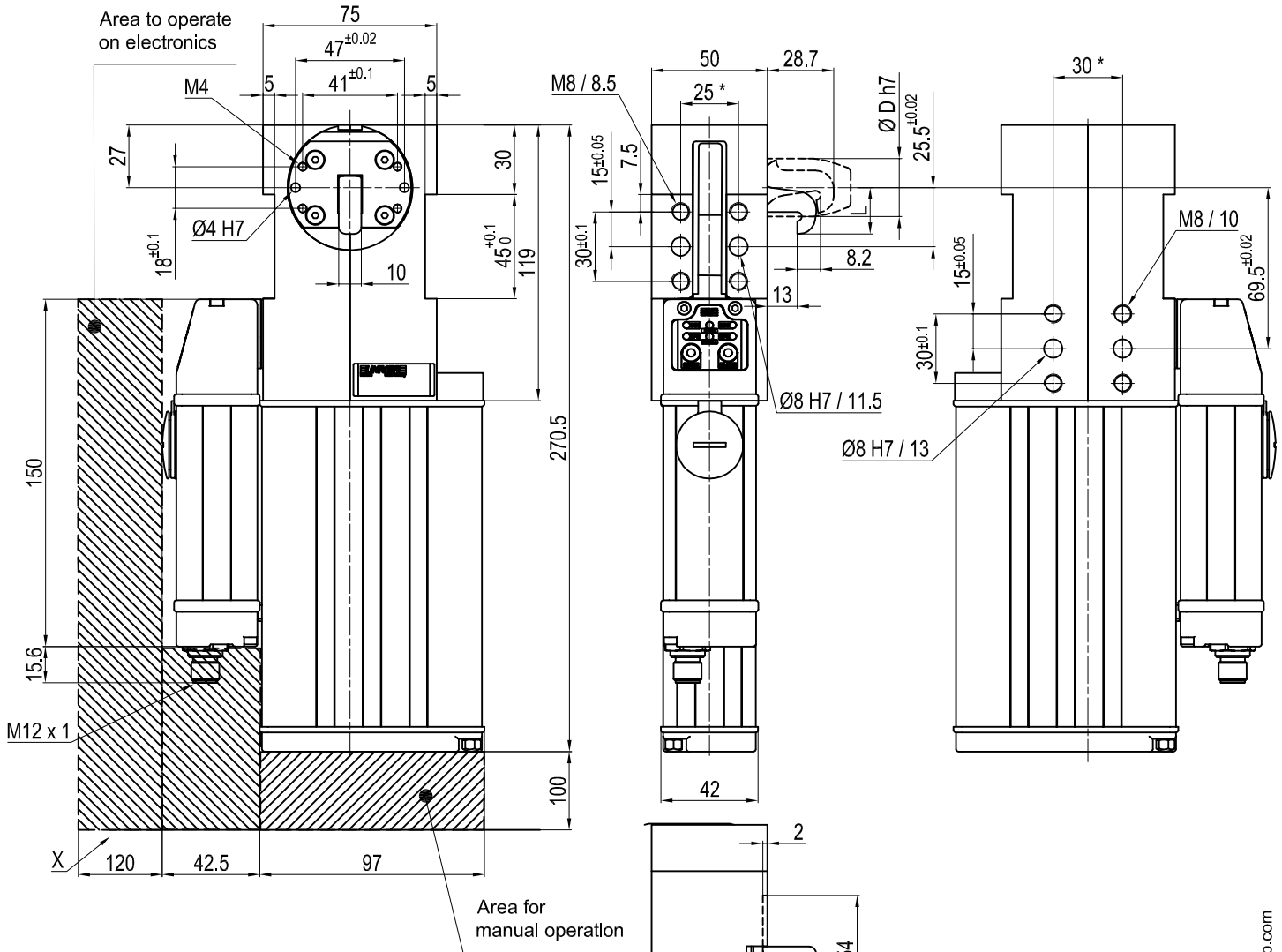


L	S	E	4	U	3	1	0	1	0	-	-
1		2		3		4		5		6	
7			8								

<b>1 Series</b>	<b>2 Size</b>	<b>3 Model</b>
LSE = Orthogonal pin clamp	4	U = Orthogonal

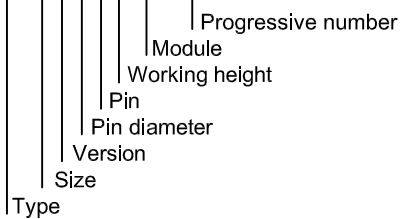
<b>4 Pin diameter</b>	<b>5 Pin</b>	<b>6 Working height</b>
2 = Ø 20 mm 3 = Ø 25 mm 4 = Ø 30 mm 5 = Ø 35 mm Different diameters upon request	0 = No pin 1 = With pin	0 = Standard Different working height upon request

<b>7 Control module</b>	<b>8 Progressive numbering</b>
10 = 1 connector - standard software 20 = 2 connectors - standard software	Progressive numbers for special products assigned by Sales Dept.



**Ordering code**

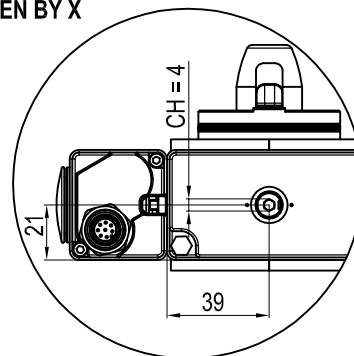
**LSE 4 U 0**



\* : TOLERANCE FOR DOWEL HOLES  $\pm 0.02$   
FOR SCREW HOLES  $\pm 0.1$

ØD	20	25	30	35
L	17,5	20	22,5	25

**SEEN BY X**



Temperature range :  $5^{\circ} \pm 40^{\circ} \text{C}$   
Class protection : **IP 65**

Size	Clamping Force	Weight
4	400 daN	3.3 Kg.

Subject to technical modifications without notice

UNIVER S.p.A. Headquarters:  
I - 20128 MILANO Via Eracifio, 31 - Tel. +39-0225298-1 - Fax +39-022525254 - www.univer-group.com  
A TERMINE DI LEGGE CI RISERVIAMO LA PROPRIETA' DI QUESTO DISEGNO CON DIVIETO ASSOLUTO DI RIPRODURLO O DI RENDERSLO COMUNQUE NOTO A TERZI O DITTE CONCORRENTI SENZA NOSTRA SPECIFICA AUTORIZZAZIONE

