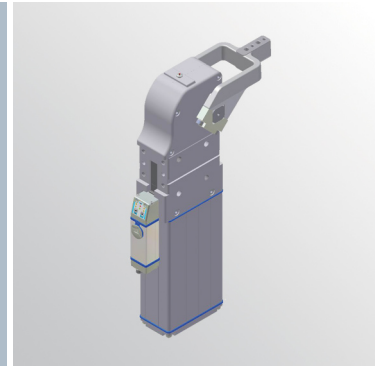


LAE950

Power clamp



L	A	E	9	5	0	V	C	1	0
1			2		3	4	5		

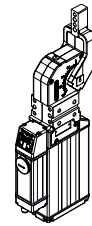
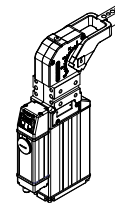
1 Series	2 Size	3 Arm mount position	
-----------------	---------------	-----------------------------	--

LAE = Power clamp

950

V = 90°

O = 180°



4 Arm style	5 Control module
--------------------	-------------------------

C = Central - standard
 D = Right - standard
 S = Left - standard

10 = 1 connector - standard software
 20 = 2 connector - standard software

